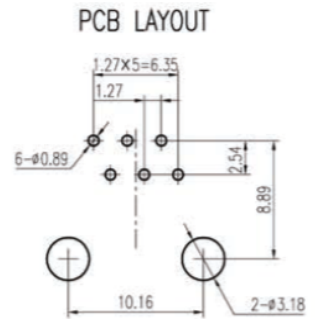
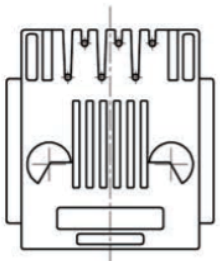
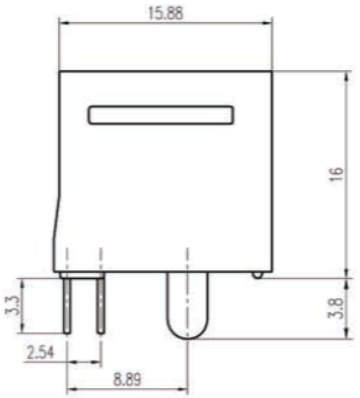
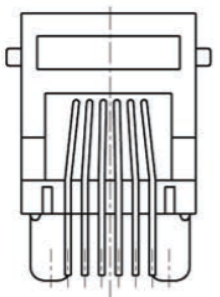
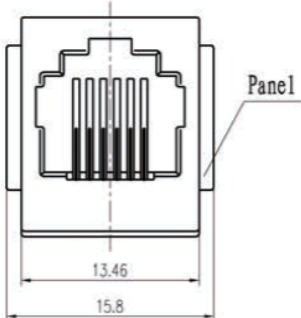


REVISION RECORD				
REV	ECO	DESCRIPTION	DRFT	CHKD



NOTES:

ELECTRICAL:

- 1. VOLTAGE RATING :125 VAC RMS.
- 2. CURRENT RATING :1.5 AMP.
- 3. CONTACT RESISTANCE :30 MILLIOHMS MAX.
- 4. INSULATION RESISTANCE :500 MEGOHMS MIN @ 500V DC .
- 5. DIELECTRIC STRENGTH :1000V AC RMS 50Hz. 1MIN.

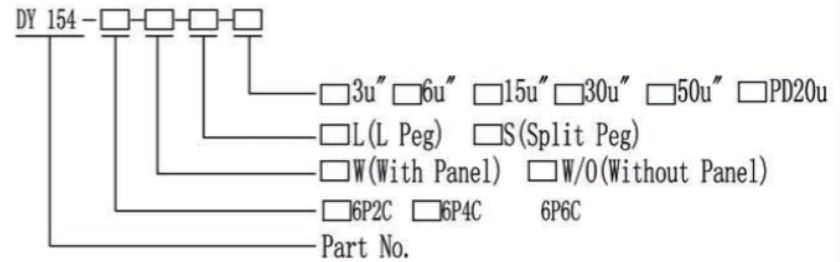
MECHANICAL:

- 1. HOUSING MATERIAL :GLASS FILLED POLYESTER UL94V-0.
- 2. CONTACT MATERIAL :PHOSPHOR BRONZE ø0.46mm.
- 3. PLATING :GOLD PLATING OVER NICKEL.
- 4. OPERATING :750 CYCLES MIN.
- 5. PCB RETENTION PRE-SOLDER :1 LB MIN.

ENVIRONMENTAL:

- 1. Temperature Range : -45°C~+85°C
- 2. Relative Humidity : 90~95% (40±2°C)

PART NUMBER:



DETACHED LISTS	mm (inch)		DFTO:	DATE:	深圳市金航标电子有限公司	
	Tolerance Except as Noted		CHKD:	DATE:		
	0±0.2	±	MFO:	DATE:	型号: KH-9752-6P6C	
	00±0.15	±	APPVL:	DATE:	0755-83044319	
	000±0.075	±	MATERIAL:		DRAWING NO.	
	ANGLES ± 0.5		Q`TY:		SIZE	
			FINISH:		/PART NO.	
SCALE: 2:1		DO NOT SCALE DRAWING		SHEET OF		

REV 06/05/02