

Kinghelm®

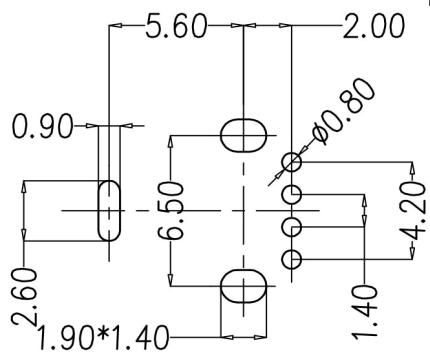
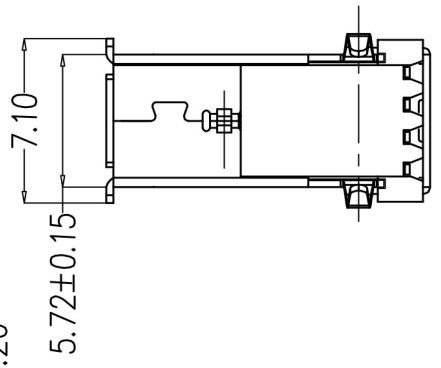
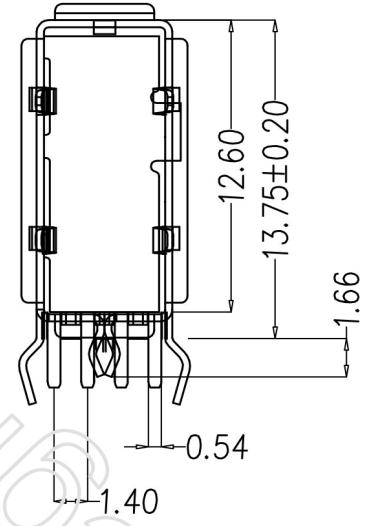
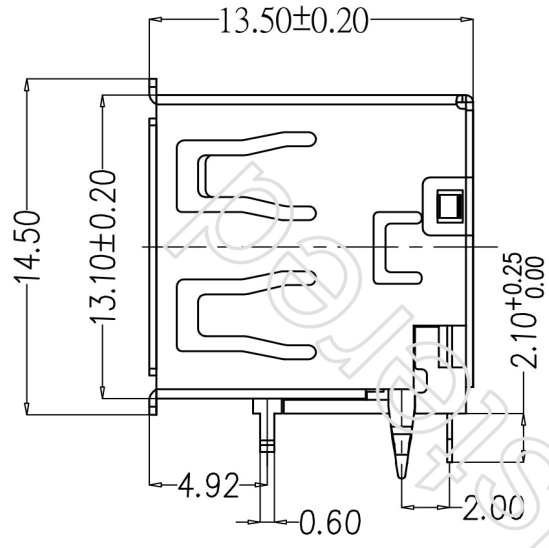
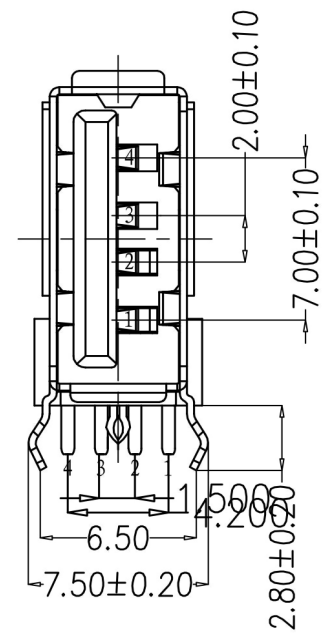
| REV. | ECN NUMBER | DESCRIPTION | DRAWING | DATE |
|------|------------|-------------|---------|------------|
| A0 | | 新版发行 | | 2010.08.05 |
| | | | | |

ELECTRICAL CHARACTERISTICS:
 CONTACT CURRENT RATING : 1.5AMPERES.
 DIELECTRIC WITHSTANDING VOLTAGE : AC 500V R. M. S.
 INSULATION RESISTANCE : 1000 MEGOHMS MINIMUM AT DC 500V.
 CONTACT RESISTANCE : 30 MILLIOHM MAXIMUM.
 OPERATING TEMPERATURE : -55° TO+105° .

MECHANICAL CHARACTERISTICS:
 CONTACT INSERTION FORCE :3.57KG MAXIMUM.
 CONTACT SEPARATION FORCE :1.0KG MINIMUM.

MATERIALS:
 HOUSING:PBT+30% G/F, UL94V-0, BLACK.
 CONTACT:BRASS 2680R-H, T=0.25±0.015mm.
 SHELL:BRASS 2680R-H, T=0.30±0.01mm;

CONTACTS:GOLD FLASHED 1U", 3U", 5U", 10U", 15U", 30U".
 END OF NI-50U"MIN
SHELL: NICKEL PLATED OVER 30~100U" MIN.



P.C.B LAYOUT

| CUSTOMER DRAWING | | TOLERANCE UNLESS OTHERWISE SPECIFIED | | 深圳市金航标电子有限公司 | | WWW.BDS666.COM | |
|------------------|------------|--------------------------------------|-----------|-----------------------------|---------|----------------|---------|
| | | X± 0.38 | XXX± 0.16 | KH-AF90CWJ-14JB-0X | | 0755-83044319 | |
| | | .X± 0.25 | .X*± 4* | PART NO. | DWC NO. | | |
| | | .XX± 0.20 | | | | | |
| DRAWN | Herry | UNIT | mm | TITLE AF 侧插黑胶铜壳(短体卷边正向宽拱形脚) | | | |
| CHECKED | Herry | SCALE | 1:1 | | | | |
| APPROVE | Herry | SHEET | 1/1 | PROJ. | SIZE | A4 | REV. A0 |
| DATE | 2010.07.13 | | | | | | |