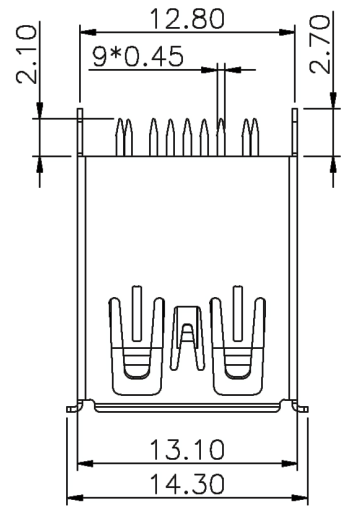


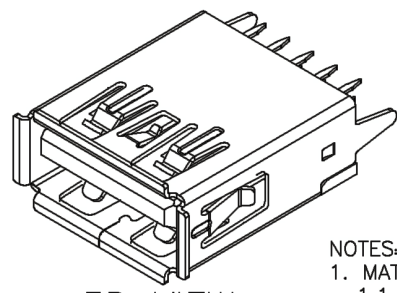
RoHS 2.0

**Kinghelm®**

REV.	ECN NO.	DESCRIPTION	DATE	DESIGN
A1.	/.	重新核对图面	21.01.14	LlHui



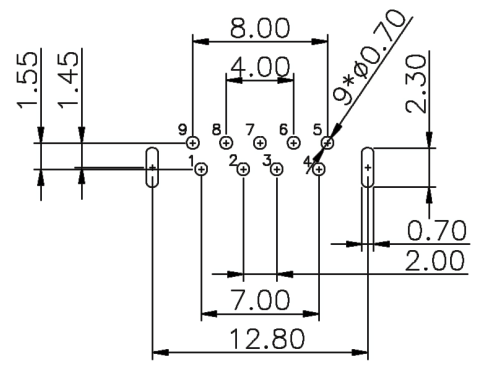
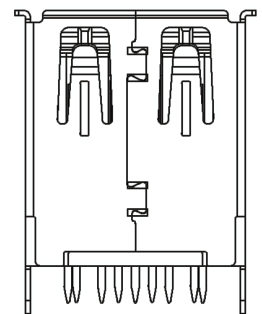
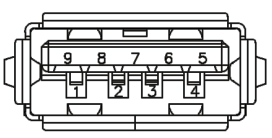
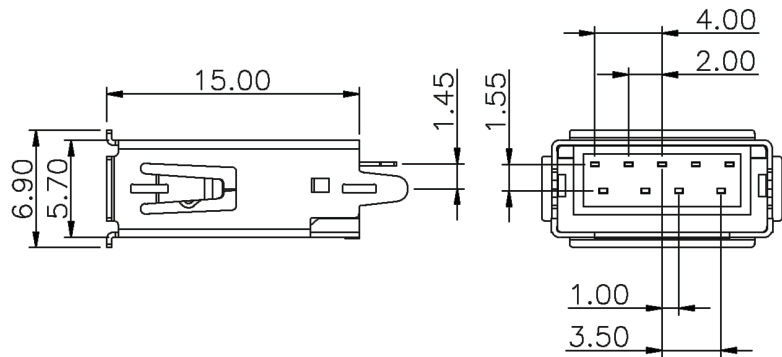
PIN NUMBER	SIGNAL NAME
PIN 1	Vbus
PIN 2	D-
PIN 3	D+
PIN 4	GND
PIN 5	StdA_SSRX-
PIN 6	StdA_SSRX+
PIN 7	GND_DRAIN
PIN 8	StdA_SSTX-
PIN 9	StdA_SSTX+
SHELL	GND



3D VIEW

NOTES:

- MATERIAL:
  - HOUSING: LCP ,COLOR IS BLUE;
  - CONTACT: BRASS (H65 T=0.20&0.25mm);
  - SHELL: COLD ROLLED IRON (SPCC T=0.30mm);
- ELECTRICAL:
  - VOLTAGE RATING: 30V DC ;
  - CURRENT RATING: 1.5A ;
  - CONTACT RESISTANCE: 30MILLIOHMS MAX.;
  - WITHSTAND VOLTAGE: 100V AC RMS 50(60)Hz,1MIN.;
  - INSULATION RESISTANCE: 100MEGOHMS MIN @500V DC;
- MECHANICAL:
  - MATING FORCE: 35N MAX.;
  - UNMATING FORCE: 5~35N ;
  - OPERATING LIFE: 1500 CYCLES MIN.;
- PLATING:
  - TERMINAL:
    - NI PLATING OVER ALL,
    - Tin PLATING ON SOLDER AREA,
    - Au G/Fu" ON CONTACT AREA;
  - SHELL: NI PLATING OVER ALL;
- ENVIRONMENTAL:
  - STORAGE TEMPERATURE RANGE: -40°C~+85°C;
  - OPERATION TEMPERATURE RANGE: -25°C~+70°C;



RECOMMENDER P.C.B.LAYOUT TOP VIEW  
(COMPONENT SIDE TOLERANCE±0.05)

深圳市金航标电子有限公司		WWW.BDS666.COM		
KH-3.0AF180ZJ-15JB		0755-83044319		
UNLESS OTHERWISE, GENERAL TOLERANCE: L <sub>xxx</sub> ±0.10 L <sub>xx</sub> ±0.20 L <sub>x</sub> ±0.30		NAME: 3.0 A母180° L15.0 卷边直脚		P/N: 09.03.02.026
THIRD ANGLE PROJECTION		UNIT: MM	SCALE: 1:1	SIZE: A4
ANGULAR: L <sub>xx'</sub> ±1° L <sub>x'</sub> ±3° L <sub>'</sub> ±5°		SHEET: 1/1		REV. A1
DRAWN:		CHECKED:		APPROVED: