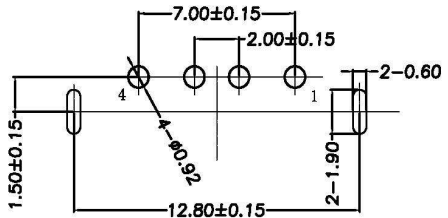
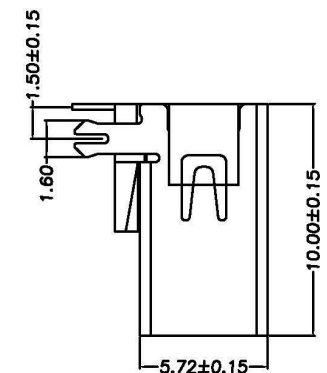
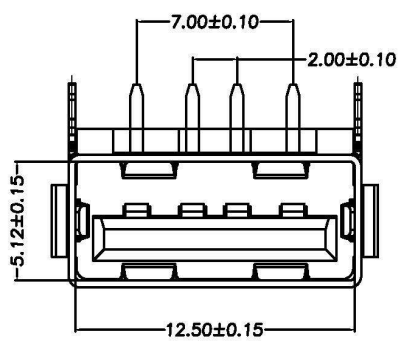
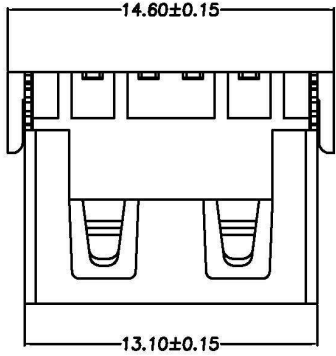
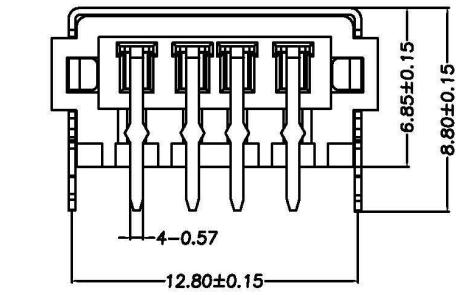


REV.	ECN NO	LTR	DESCRIPTION	REVISER	DATE



RECOMMENDED PCB LAYOUT

规格说明 (Specifications):

- 1.0 电气特性 (Electrical):
 - 1.1 额定电流 (Current Rating): 1.5A/Contact Terminal
 - 1.2 额定电压 (Voltage Rating): 30V DC
 - 1.3 接触阻抗 (Contact Resistance): 30 Milliohms Max
 - 1.4 耐电压 (Dielectric Withstanding Voltage): 500 V AC AT Sea Level
 - 1.5 绝缘阻抗 (Insulation Resistance): 1000MEGA Ohms Min
- 2.0 物理性能 (Mechanical):
 - 2.1 插拔力 (Connector Mate And Unmate Force):
Mating Force: 3.57kgf (Max)
Unmating Force: 1.02kgf (Min)
 - 2.2 端子保持力 (Terminal Retention): 1.2kgf (Min)
- 3.0 原材料 (Material):
 - 3.1 塑胶 (Housing): High Temperature Thermoplastics PBT/White/Black
 - 3.2 端子 (Contact): Copper Alloy C2680 T=0.20MM
 - 3.3 外壳 (Shell): Copper/Ferro Alloy SPCC T=0.30MM
- 4.0 电镀 (Finish):
 - 4.1 端子 (Contact): Plated Gold in Mating Area
Sn≥100U" Ni≥40U" Au=1U" /3U" /5U" /...
 - 4.2 外壳 (Shell): Nickel Plating
12H (Cu≥80U" Ni≥60U")
24H (Cu≥100U" Ni≥80U")
48H (Cu≥120U" Ni≥100U")
...
- 5.0 Dimension marked 尺寸 must be controlled in QIP.

产品图 PRODUCT CHART DWG				深圳市金航标电子有限公司			WWW.BDS666.COM		
公差一览表 TOLERANCE UNLESS OTHERWISE				KH-AF90HC-10-H6.8			0755-83044319		
X.	±0.25	X.	±5.°	单位 UNITS	MM	制图 DRAWING	Z-Y-B	制图料号 PRODUCT PART NO.	
.X	±0.20	.X	±2.°	比例 SCALE	1:1	审核 CHKD		产品名称 PRODUCT NO.	USB A/F 后脚无卷边 (10.0 H=6.8, DIP)
.XX	±0.15	.XX	±1.°	日期 DATE	2017.05.16	核准 APPD		角法 VIEW	版本 VER
.XXX	±0.10	.XXX	±0.5°						AO