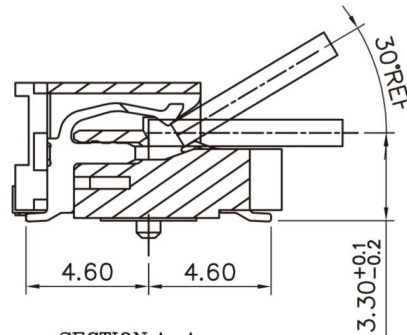
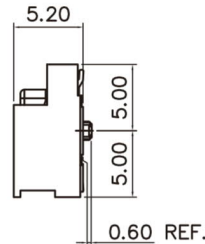
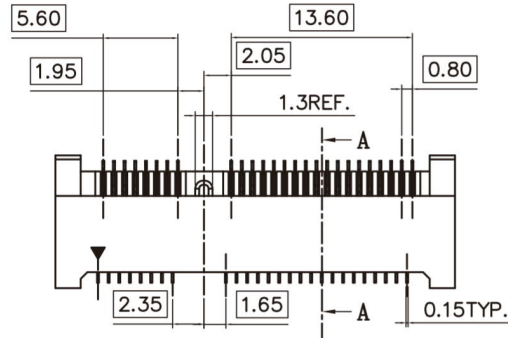
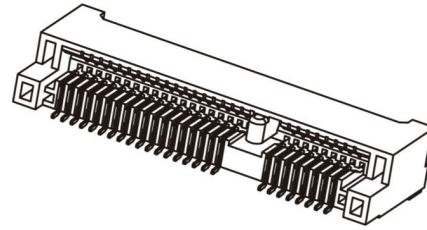
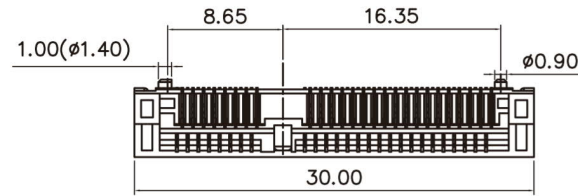


ORDERING INFORMATION

PCI 52 U 2 E - X X
 (1) (2) (3) (4) (5) (6) (7)

1. SERIES NO.
PCI: PCI CONNECTOR
2. NUMBER OF PIN
52: 52 POSITIONS
3. TAIL CONSTRUCTION TYPE
U: SMT TYPE
4. PRODUCT HEIGHT
2: PRODUCT HEIGHT:5.20mm
5. PCI TYPE
E: MINI PCI EXPRESS CONN.
6. HOUSING COLOR CODES AND MATERIAL
C: COLOR: BLACK & MATERIAL: LCP
D: COLOR: WHITE & MATERIAL: LCP
7. CONTACT PLATING
 - 1: GOLD FLASH OVER NICKEL ON CONTACT AREA AND 100u" MIN. TIN PLATING OVER NICKEL ON SOLDER TAILS
 - 2: 15u"GOLD PLATING OVER NICKEL ON CONTACT AREA AND 100u" MIN. TIN PLATING OVER NICKEL ON SOLDER TAILS
 - 3: 30u"GOLD PLATING OVER NICKEL ON CONTACT AREA AND 100u" MIN. TIN PLATING OVER NICKEL ON SOLDER TAILS

NOTES:
 MATERIAL AND FINISH:
 CONTACT: COPPER ALLOY, NICKEL UNDERPLATING. GOLD PLATING ON CONTACT AREA AND ON SOLDER AREA.
 NAIL: COPPER ALLOY, NICKEL UNDERPLATING, MATTE-TIN OVER NICKEL.
 HOUSING: HIGH TEMP. THERMOPLASTIC, UL 94V-0

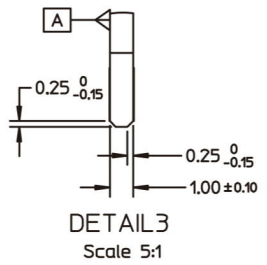
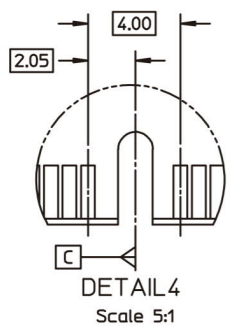
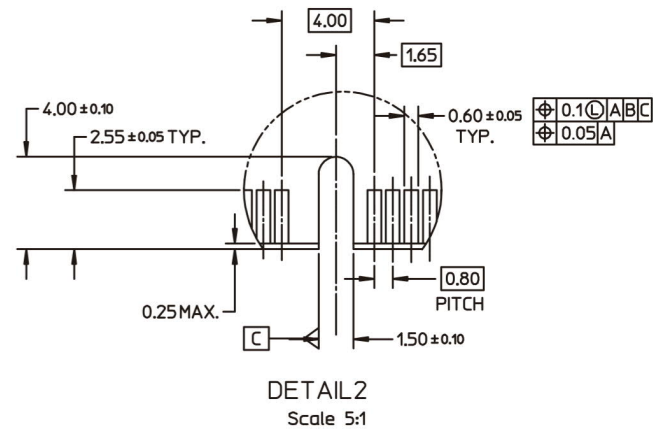
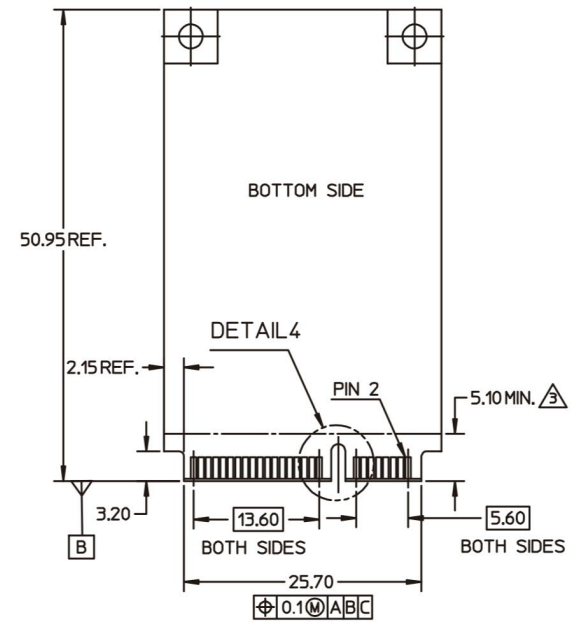
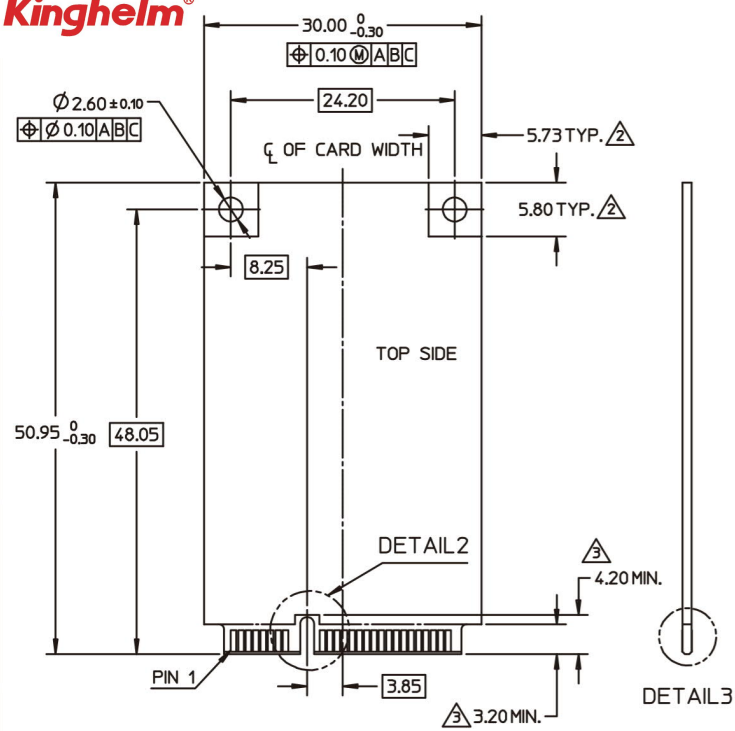


SECTION: A-A
SCALE 2:1

5				DRAWING:	GENERAL TOLERANCE		SHENZHEN KINGHELM ELECTRONIC CO., LTD.	WWW.BDS666.COM
4				Chen	.X: = ±0.4	.X°: = ±2°	Model: KH-PCIE5.2H-52P	0755-83044319
3				CHECKED:	.XX: = ±0.25	.XX°: = ±1°		
2					.XXX: =	.XXX°: = ±0.5°	DESCRIPTION:	
1				APPROVAL:	UNIT: MM	PROJECTION:	MINI PCI EXPRESS CONN. 0.8MM PITCH 52PIN 5.2MM	
NO.	DATE	DESCRIPTION	APPROVAL		SCALE: 1/1		PART NO: PCI52U2E-XX	REV: 1.0
1					SHEET: 1/3		DRAWING NO: P1PCI52U2E-XX-01	SIZE: A4

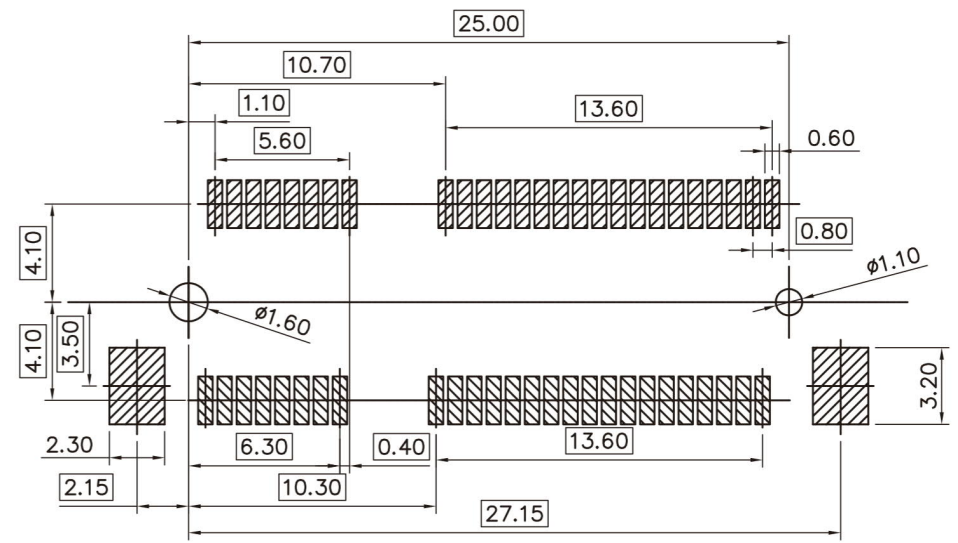
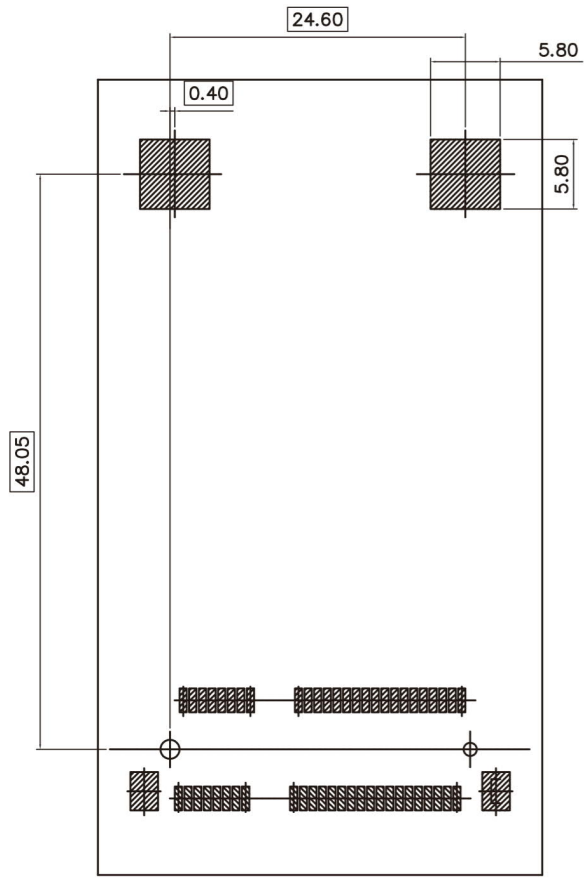
Kinghelm®

REV	ECN NO.
-----	---------



NOTES:
 1. PIN NUMBERING REFERENCE:
 ODD PINS-TOP SIDE
 EVEN PINS-BOTTOM SIDE
 2. COMPONENT AND ROUTING(ALL LAYERS)
 KEEP OUT AREA FOR HOLD DOWN SOLUTIONS
 3. COMPONENT KEEP OUT AREA FOR CONNECTOR

5				DRAWING: Chen	GENERAL TOLERANCE .X: =±0.4 .XX: =±0.25 .XXX: =	.X°: =±2° .XX°: =±1° .XXX°: =±0.5°	深圳市金航标电子有限公司	WWW.BDS666.COM
4				CHECKED:	UNIT: MM	PROJECTION:	型号: KH-PCIE5.2H-52P	0755-83044319
3				APPROVAL:	SCALE: 1/1		DESCRIPTION: MINI PCI EXPRESS CONN. 0.8MM PITCH 52PIN 5.2MM	
2					SHEET: 3/3		PART NO: PCI52U2E-XX	REV: 1.0
1							DRAWING NO: P1PCI52U2E-XX-03	SIZE: A4
NO.	DATE	DESCRIPTION	APPROVAL					



SCALE 2:1

RECOMMENDED PCB LAYOUT

5				DRAWING: Chen	GENERAL TOLERANCE .X: = ±0.4 .XX: = ±0.25 .XXX: =	.X°: = ±2° .XX°: = ±1° .XXX°: = ±0.5°	深圳市金航标电子有限公司	WWW.BDS666.COM
4								
3				CHECKED:	UNIT: MM	PROJECTION:	DESCRIPTION: MINI PCI EXPRESS CONN. 0.8MM PITCH 52PIN 5.2MM	
2								
1				APPROVAL:	SCALE: 1/1		PART NO: PCI52U2E-XX	REV: 1.0
NO.	DATE	DESCRIPTION	APPROVAL		SHEET: 2/3		DRAWING NO: P1PCI52U2E-XX-02	SIZE: A4