

NOTE:

1. MATERIAL:

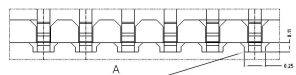
HOUSING: LCP (UL94 V-0), COLOR: NATURAL.
 CONTACTS: COPPER ALLOY.
 PEG: COPPER ALLOY.
 ACTUATOR: LCP (UL94-V0), COLOR:BLACK

2. RATING:

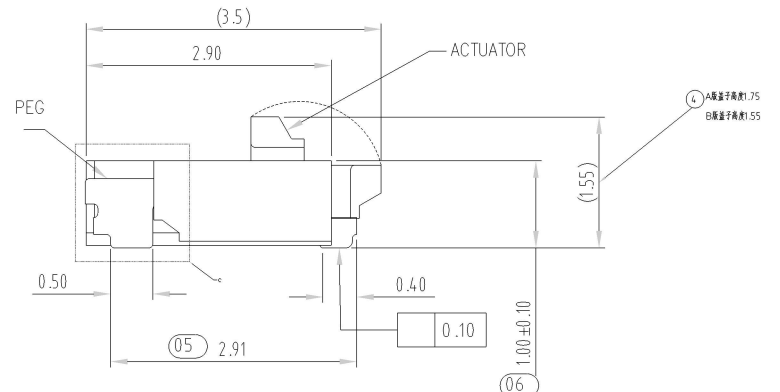
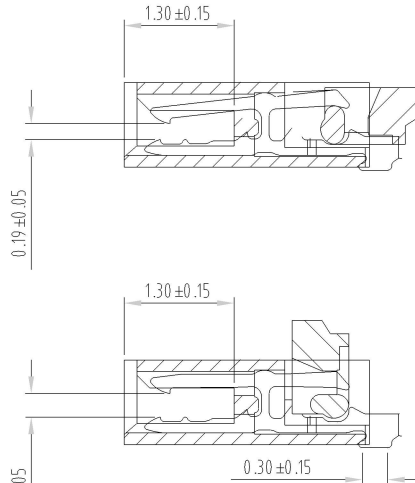
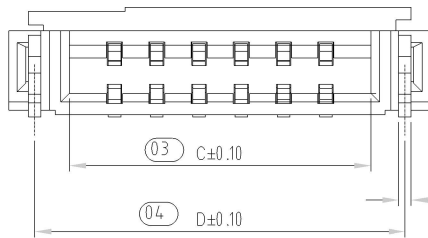
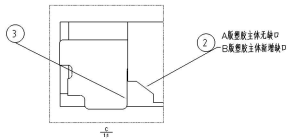
OPERATING VOLTAGE: 50Vrms AC.
 CURRENT RATING: 0.5A.
 OPERATING TEMPERATURE: -55° C~+85° C.
 OPERATING HUMIDITY RANGE: RELATIVE HUMIDITY 90% MAX.(NO CONDENSATION)
 STORAGE TEMPERATURE RANGE: -10° C~+50° C.
 STORAGE HUMIDITY RANGE: RELATIVE HUMIDITY 90% MAX.(NO CONDENSATION)

3. Part Number:

带 (xx) 为重点管控尺寸



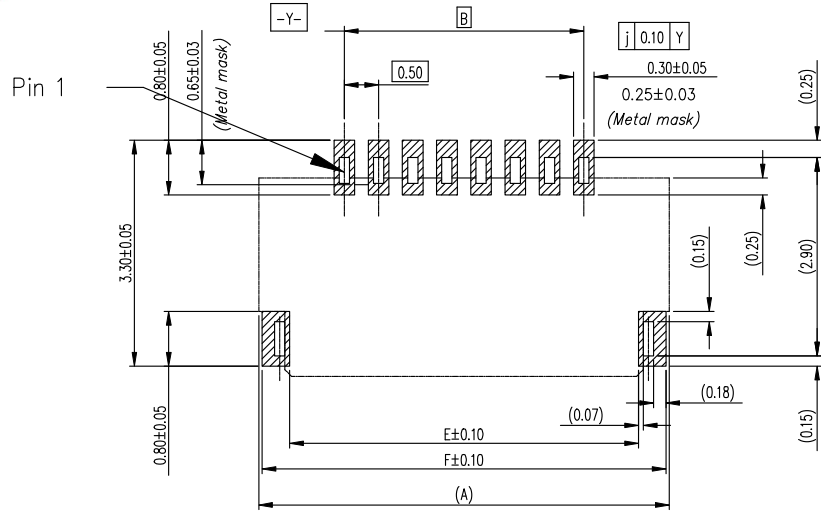
A板塑胶片开槽朝内角为直边
B板塑胶片开槽为直边



本产品符合 RoHS SONY00259 OHF 其它
 ※禁止使用本公司所禁用有毒物质

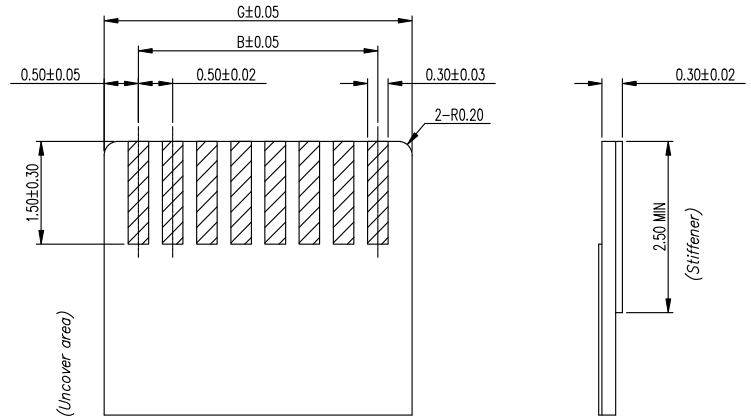
| | | | | |
|-----|-----------------------|-------------|---------|-----------|
| B | ① 塑胶主体槽宽(0.25x0.11)窗口 | 2021051001 | liupeng | 2021/5/10 |
| | ② 塑胶主体槽宽 | | | |
| A | ③ 塑胶片开槽朝内角为直边 | NEW DRAWING | liupeng | |
| | ④ 端子高度1.75及1.55 | | | |
| REV | DESCRIPTION | ECN.NO | BY | DATE |

| | | | | | |
|---|--------|----------------------------|------|------------------------------|------------|
| - TOLERANCES - UNLESS OTHERWISE SPECIFIED 公差参考表 | | 深圳市金航标电子有限公司 | | www.kinghelm.com.cn | |
| | | KH-FPC0.5-H1.0SMT-12P-QCHF | | 0755-28190160 | |
| | | | | TITLE: FPC 0.5Pitch 1.0H 2IF | |
| | | | | 产品名稱: R/A Connector | |
| X.X | :±0.30 | X.X° | :±5° | APPD: 核准: | |
| X.XX | :±0.20 | X.XX° | :±2° | DWG NO: FP242AH-0XXG10M | |
| X.XXX | :±0.10 | X.XXX° | :±1° | CHECK: 校對: | |
| | | DRAW: LIUPENG | | DATE: 20111209 | SCALE: 1:1 |
| | | | | UNIT: rmm | PAGE: 1/2 |



Recommended PCB mounting pattern and metal mask dimensions

Recommended metal mask thickness: $t=0.1$



Recommended FPC/FFC Dimensions

| | | | | | | | |
|--------------------|-------|-------|-------|-------|-------|-------|-------|
| 50 | 27.00 | 24.50 | 25.57 | 26.39 | 26.10 | 26.90 | 25.50 |
| 45 | 24.50 | 22.00 | 23.07 | 23.89 | 23.60 | 24.40 | 23.00 |
| 40 | 22.00 | 19.50 | 20.57 | 21.39 | 21.10 | 21.90 | 20.50 |
| 34 | 19.00 | 16.50 | 17.57 | 18.39 | 18.10 | 18.90 | 17.50 |
| 32 | 18.00 | 15.50 | 16.57 | 17.39 | 17.10 | 17.90 | 16.50 |
| 30 | 17.00 | 14.50 | 15.57 | 16.39 | 16.10 | 16.90 | 15.50 |
| 28 | 16.00 | 13.50 | 14.57 | 15.39 | 15.10 | 15.90 | 14.50 |
| 26 | 15.00 | 12.50 | 13.57 | 14.39 | 14.10 | 14.90 | 13.50 |
| 24 | 14.00 | 11.50 | 12.57 | 13.39 | 13.10 | 13.90 | 12.50 |
| 22 | 13.00 | 10.50 | 11.57 | 12.39 | 12.10 | 12.90 | 11.50 |
| 20 | 12.00 | 9.50 | 10.57 | 11.39 | 11.10 | 11.90 | 10.50 |
| 18 | 11.00 | 8.50 | 9.57 | 10.39 | 10.10 | 10.90 | 9.50 |
| 16 | 10.00 | 7.50 | 8.57 | 9.39 | 9.10 | 9.90 | 8.50 |
| 14 | 9.00 | 6.50 | 7.57 | 8.39 | 8.10 | 8.90 | 7.50 |
| 12 | 8.00 | 5.50 | 6.57 | 7.39 | 7.10 | 7.90 | 6.50 |
| 11 | 7.50 | 5.00 | 6.07 | 6.89 | 6.60 | 7.40 | 6.00 |
| 10 | 7.00 | 4.50 | 5.57 | 6.39 | 6.10 | 6.90 | 5.50 |
| 8 | 6.00 | 3.50 | 4.57 | 5.39 | 5.10 | 5.90 | 4.50 |
| 7 | 5.50 | 3.00 | 4.07 | 4.89 | 4.60 | 5.40 | 4.00 |
| 6 | 5.00 | 2.50 | 3.57 | 4.39 | 4.10 | 4.90 | 3.50 |
| 5 | 4.5 | 2.00 | 3.07 | 3.89 | 3.60 | 4.50 | 3.00 |
| 4 | 4.00 | 1.50 | 2.57 | 3.39 | 3.10 | 3.90 | 2.50 |
| Number of Contacts | DIM A | DIM B | DIM C | DIM D | DIM E | DIM F | DIM G |

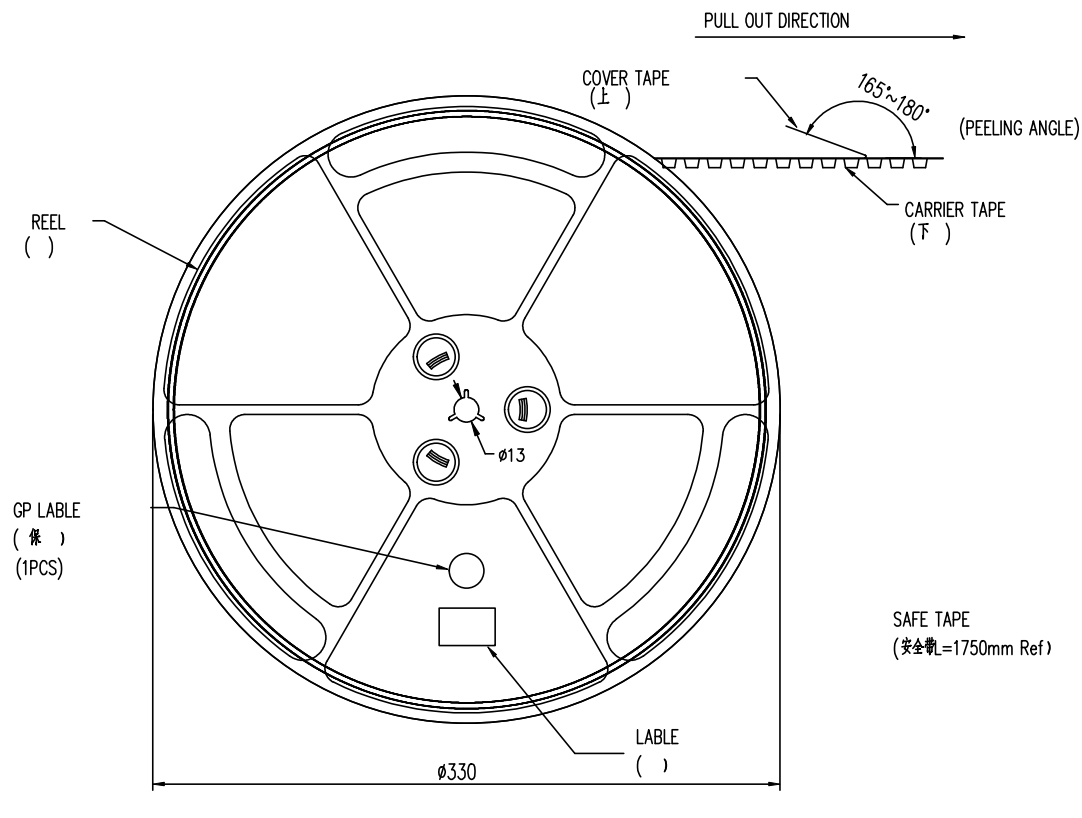
本产品符合 RoHS 符合 SONY00259 符合 HF 其它
 *禁止使用本公司所禁用有毒物质

| | | | | |
|-----|-------------------|------------|---------|-----------|
| B | 盖子高度由1.75改为1.55MM | 2021051001 | liupeng | 2021/5/10 |
| A | NEW DRAWING | | liupeng | |
| REV | DESCRIPTION | ECN.NO | BY | DATE |

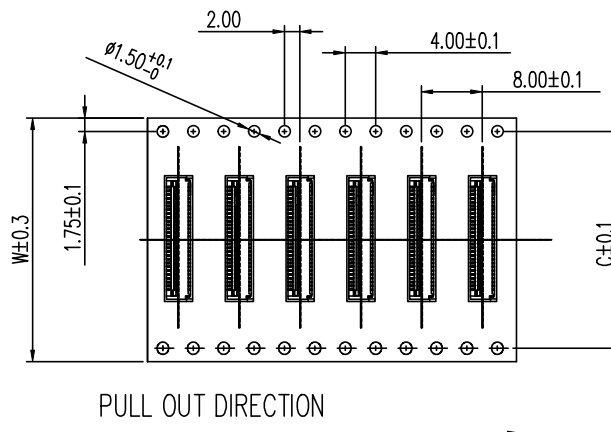
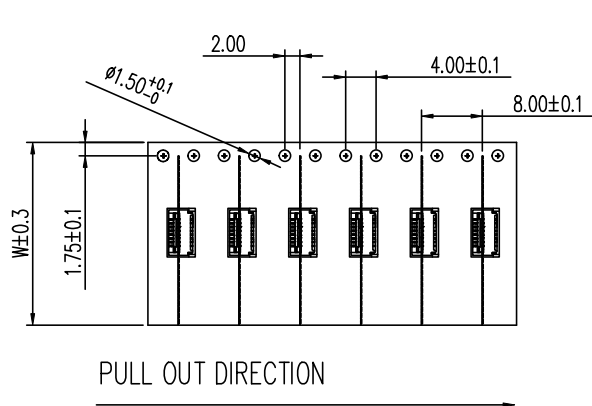
| | | | |
|---|--------------|---|--------------------------------|
| - TOLERANCES - UNLESS OTHERWISE SPECIFIED 公差 参考 | | 深圳市金航标电子有限公司 www.kinghelm.com.cn | |
| | | KH-FPC0.5-H1.0SMT-12P-QCHF | |
| | | 0755-28190160 | |
| | | TITLE: FPC 0.5Pitch 1.0H ZIF 品名: R/A Connector | |
| X.X : ±0.30 | X.X* : ±5° | APPD: 核准: | DWG NO: 物料: FP242AH-0XXG10M |
| X.XX : ±0.20 | X.XX* : ±2° | CHECK: 校: | DATE |
| X.XXX : ±0.10 | X.XXX* : ±1° | DRAW: : | SCALE |
| | | LIU | UNIT |
| | | | PAGE |
| | | | 2/2 |

NOTE:

- 1.10 Sprocket hole pitch cumulative tolerance ± 0.20 .
2. Carrier camber is within 1mm in 100mm.
3. Material: black conductive polystyrene alloy.
4. Material Thickness: 0.3 ± 0.05 mm.
5. All dimensions meet EIA-481-B requirements.
6. 4000pcs Pef Reel.
7. For tape width(dim W)16 and 24mm pilot holes are provided on one sides. For tape width(dim W)32, 44 and 56mm pilot holes are provided on both sides.

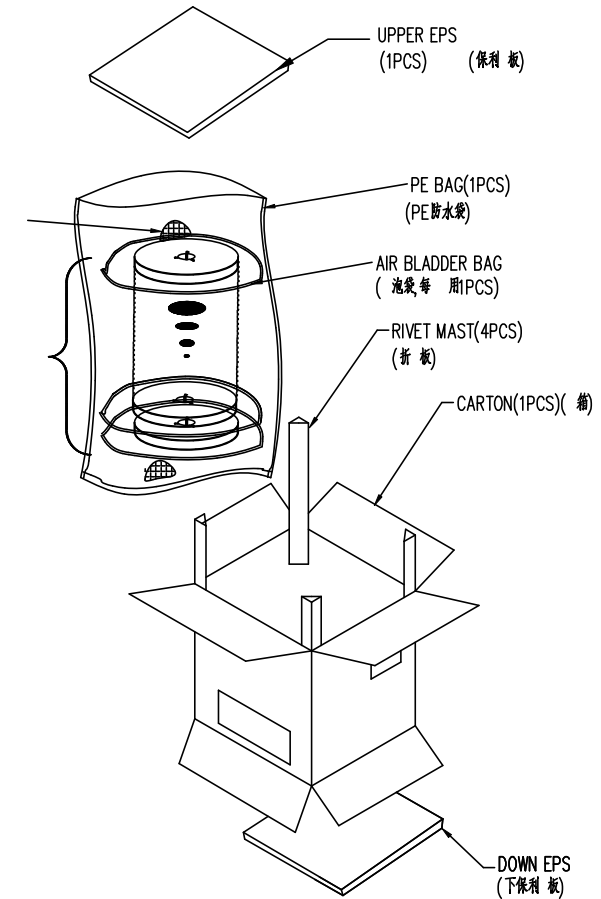


SCALE 1:4

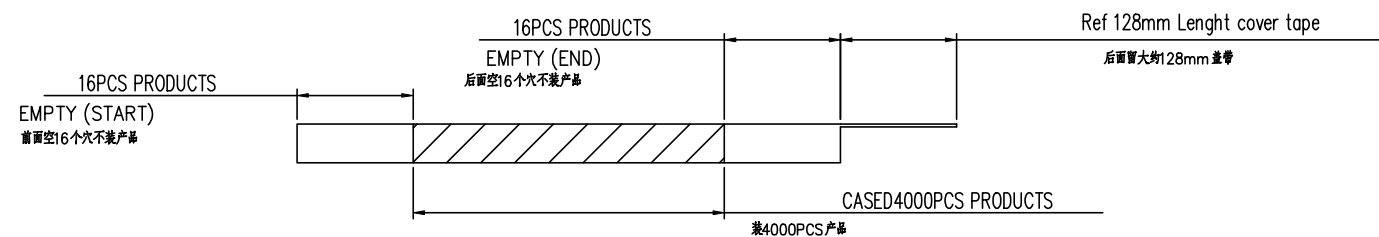
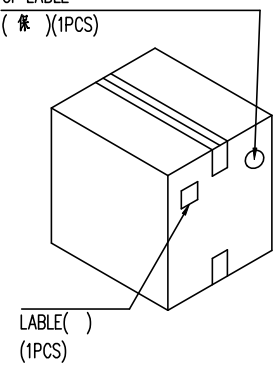


DESICCANT(2 PCS)
(3g/PCS)(干燥)

NUMBER REEL
()



GP LABEL () (1PCS)



| PIN NO. | W | C | PCS /REEL | REEL/CARTON | SUM(PCS) |
|-------------|----|------|-----------|-------------|----------|
| 04PIN~14PIN | 16 | - | 4000 | 14 | 56000 |
| 16PIN~24PIN | 24 | - | 4000 | 10 | 40000 |
| 28PIN~39PIN | 32 | 28.4 | 4000 | 8 | 32000 |
| 40Pin~50PIN | 44 | 40.4 | 4000 | 6 | 24000 |

-TOLERANCES-
UNLESS OTHERWISE SPECIFIED

公差 考表

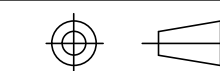
| | | | |
|-------|---------|--------|-------|
| X.X | : ±0.30 | X.X* | : ±5° |
| X.XX | : ±0.20 | X.XX* | : ±2° |
| X.XXX | : ±0.10 | X.XXX* | : ±1° |

深圳市金航标电子有限公司

www.kinghelm.com.cn

KH-FPC0.5-H1.0SMT-12P-QCHF

0755-28190160



TITLE: 0.5mm Pitch FPC Connector
品名:

APPD: 核准:
CHECK: 校:
DRAW: LIU

DWG NO: FP242AH-0XXG10M
品料:

DATE SCALE UNIT PAGE

1:1 mm 1/1

本产品符合 RoHS 符合 SONY00259 符合 HF 其他
*禁止使用本公司所禁用有毒物质

| REV | DESCRIPTION | ECN.NO | BY | DATE |
|-----|-------------|--------|-----|----------|
| A | New Drawing | | LIU | 02/27'13 |