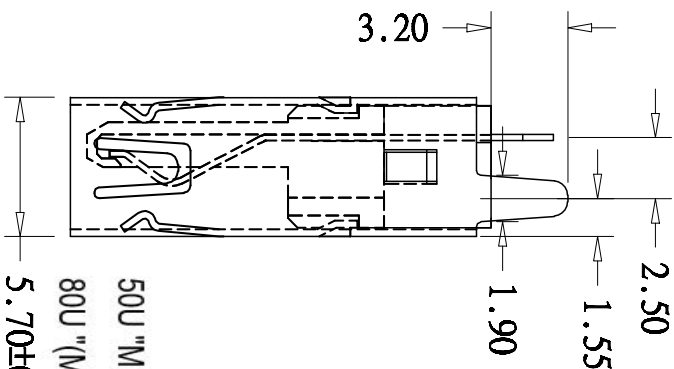
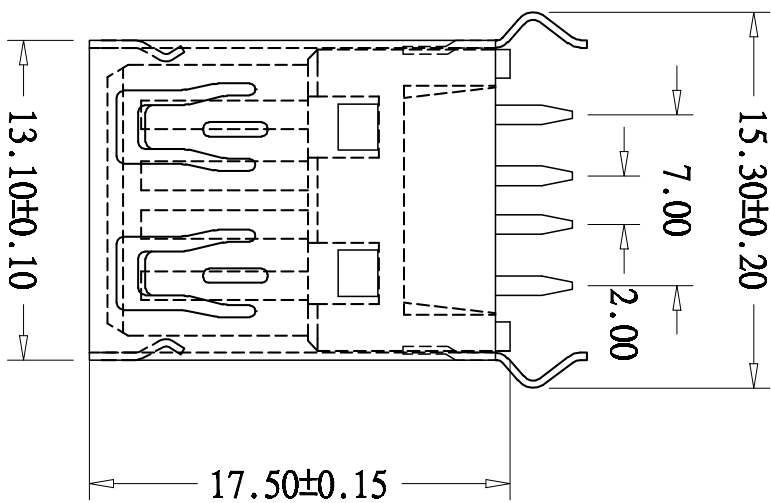
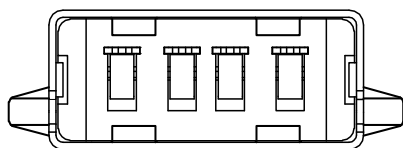
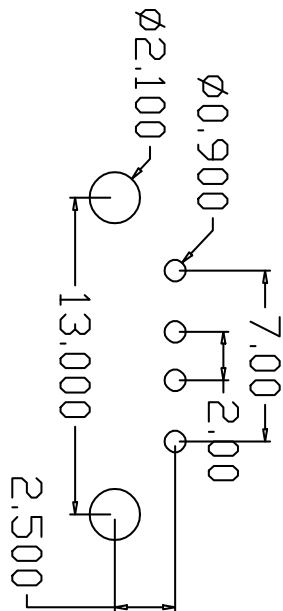


Kinghelm®



Specifications:

- 1. Current Rating: 1.5A/contact terminal
- 2. Voltage Rating: 30V DC
- 3. Contact Resistance: 30 milliohms MAX
- 4. Dielectric withstanding Voltage: 500 V AC AT Sea Level
- 5. Insulation Resistance: 1000MEGA ohms MIN

Mechanical:

- 1. Connector Mate and Unmated Force
Mate force: 3.57kgf(MAX)
Unmated force: 1.02kgf(MIN)
- 2. Terminal Retention
1.0kgf(MIN)

Material

- 1. Housing: Hing Temperature Thermoplastics
- 2. Contact: Copper Alloy C2680
- 3. Shell: Copper Alloy C2680/SPCC

- 1. Contact: Plated Gold in Mating Area
Tin On Solder Tolls

50U "MIN" Tin is plated around the terminal, Gold-plated area 100-200U",
80U "(MIN) Tin is plated around the copper casing

Nickel Plating

MANUFACTURE DWG SHENZHEN KINGHELM ELECTRONIC CO., LTD. WWW.BDS666.COM

TOLERANCE TABLE KH-AE180WJ-17.5 0755-83044319

X±0.15	X.±5°	DATE	UNIT	MM	CHARTING	DWG NO.
XX±0.05	X+2°	CHECKED	SCALE	1:1	DESIGN	Product Name/Short Receptacle
XXX±0.02	XX±1°	APPROVAL	VIEW			VER SHEET

Mapx	Modification	Date	Draw	Approve