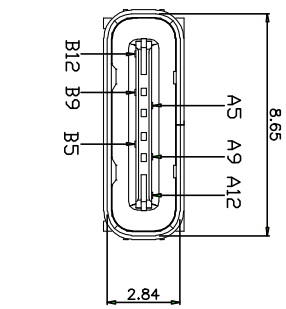
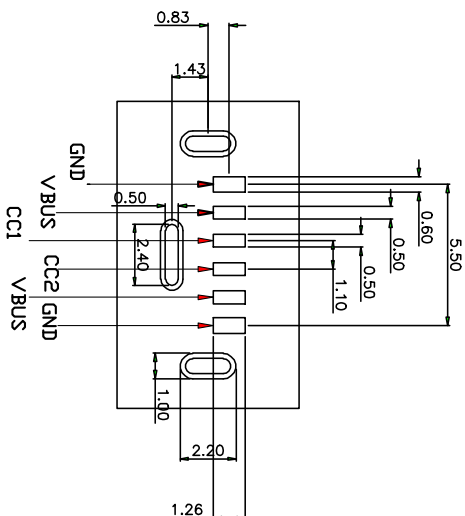
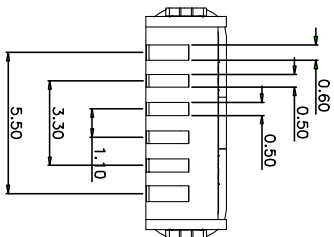
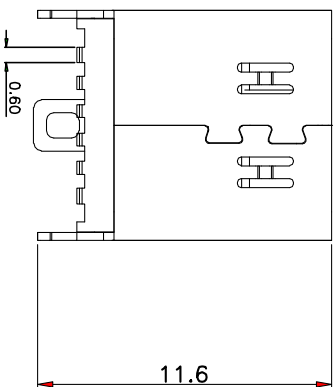
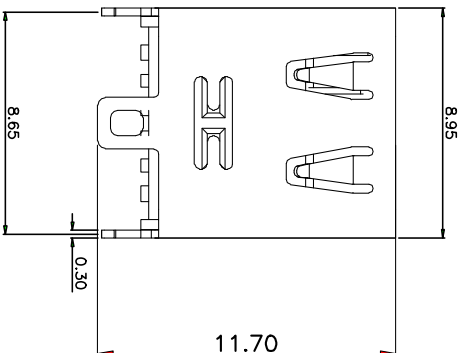
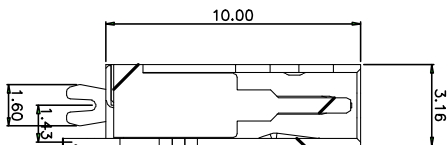
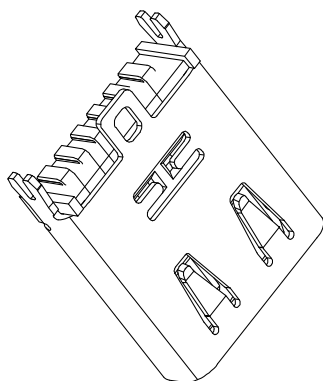


REV:	DESCRIPTION	ECN No.	DATE
A0			宋嘉红 2017-02-24



B12	GND
B9	VBUS
B5	CC2
A5	CC1
A9	VBUS
A12	GND
PIN	SIGNAL NAME



NOTES:

- 1.MATERIAL:
MOLDING: LCP UL94 V-0
CONTACT: COPPER ALLOY.
GOLD PLATED Min ON CONTACT AREA, 100u"
Min TIN (LEAD FREE) ON SOLDER AREA,
SHELL: SUS304-H,T=0.30±0.03mm
50u" NICKEL PLATING OVER ALL.
- 2.MECHANICAL:
INSERTION: 5~20N.
EXTRACTION: 8~20N AFTER TEST.
DURABILITY: 10000 CYCLES
- 3.ELECTRICAL:
CURRENT: 5A FOR VBUS,
1.25A FOR GND PIN,
0.25A FOR OTHER
VOLTAGE: 20 V MAX
WITHSTANDING VOLTAGE: 100V AC R.M.S.
CONTACT RESISTANCE: 40mΩ MAX.
INSULATION RESISTANCE: 100MΩ MIN.
- 4.ENVIRONMENTAL
TEMPERATURE RANGE -25°C ~ +85°C
5. 尺寸标注事项:
图示有标透者为首样全检, 重点管控尺寸.
6. 产品符合RoHS标准

Table:

成品料号	零件名称	零件料号	材料 / 电镀
TX	端子 soldering 半镀金 绝缘材料 TX	TX	NO PLATING
	外壳	TX	Sn 80~200u"
		SUS 304 R-H	电镀材料厚度.

深圳市金航标电子有限公司 www.BDS666.COM

KH-TYPE-C-L10-6P-STM 0755-83044319

.X: ±0.35	.X': ±1.5'	INTENDED USE:	TITLE:
.XX: ±0.25	.XX': ±1.0'	CONNECTOR	USB TYPE C 6PIN PLUG 侧插式连接
.XXX: ±0.20	.XXX': ±0.5'	APPD.:	PART NO.:
MAT'L.:	SEE NOTES	CHKD.:	DWG. NO.:
FINISH:		DR.: Len.Song	SCALE: 1:1
			PAGE: 1/1
			UNIT: mm
			REV.: A0